



DC brush motors

We sell DC motors with gear heads. Brush DC motors are cheap, easy to use and don't require any service. DC motors are applied in industrial machinery, robotics, tools, toys, simulators, electro bikes, transporters and other machines.

Rated voltage: 24VDC (except SM5946W, which is 12VDC).

On a request DC motors with encoders are available.

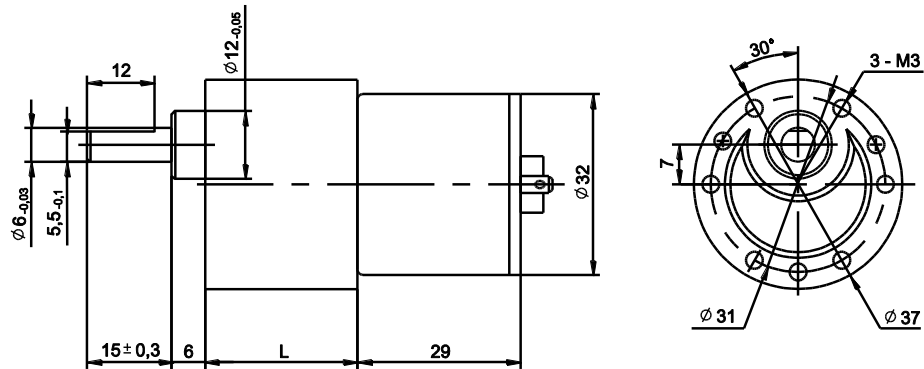


DC motor	Power, W	Reducer		Torque, kgf*cm	Rated speed, rpm	Current, Amp
		Reducer type	Reduction ration			
SM35S	3,2	Spur	1/50	2	100	<0,21
			1/75	3	65	
			1/500	6	11	
SM16P	1	Planetary	1/690	3	16	<0,9
SM22P	1,7		1/3968	6	2	<0,11
SM32P	4		1/51	2,2	100	<0,25
SM32RP	8,5	Bevel and planetary	1/100	6,4	65	<0,5
SM42P	51	Planetary	1/61	18	100	<2,1
			1/504	30	14	
			1/91	125	20	
SM71P	90	Planetary	1/19	55	100	<3,8
SM90P	105		1/201	180	10	<4,2
			1/30	30	80	<5
SM5946W	60	Worm	1/65	78	54	<2,9
SM6551W	70		1/50	104,5	49	<6,3
SM7152W	150		1/30	110	100	<8,3
SM7165W	200		1/15	75	215	<10
SM7185W	240					

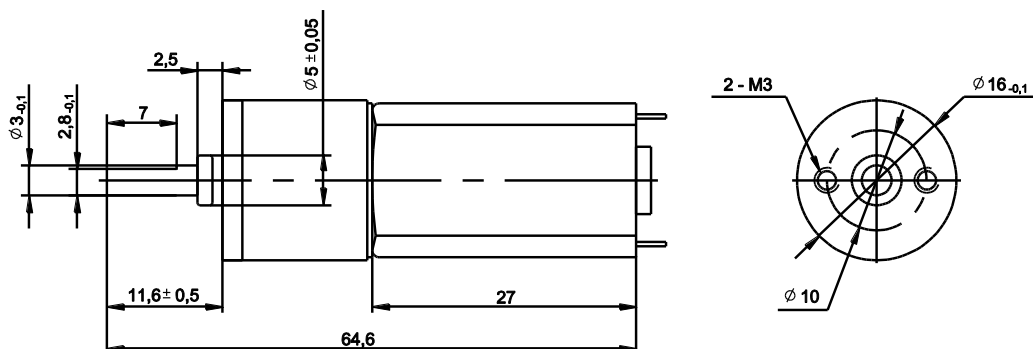
Other models are on a request:

Power: 0.5W up to 600W
 Rated speed: 1,8 rpm up to 2500 rpm
 Rated torque: 0.02 kgf*cm up to 300 kgf*cm

Dimensions of dc geared motor SM35S:

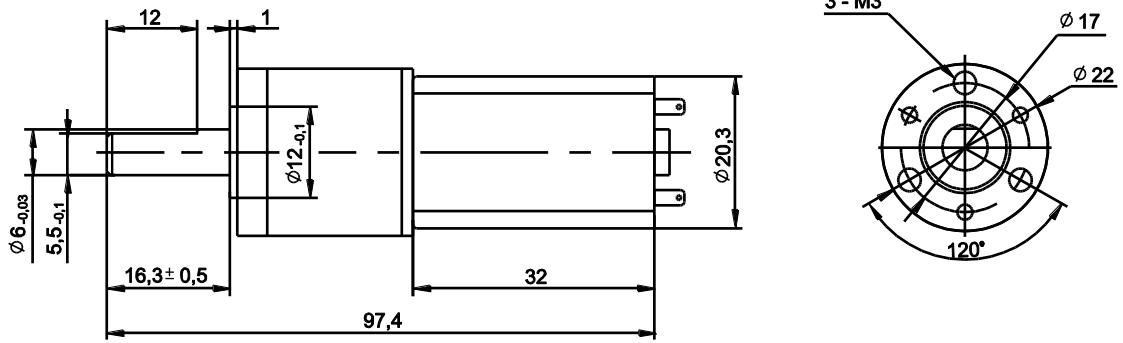


Dimensions of dc geared motor SM16P

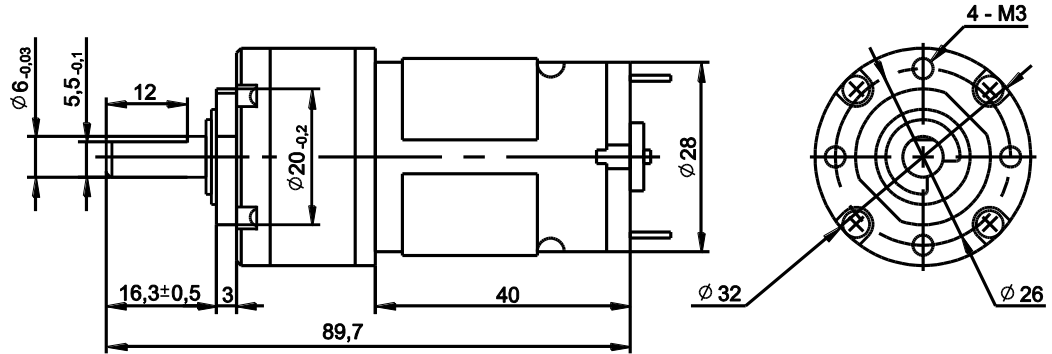


Date of sale:

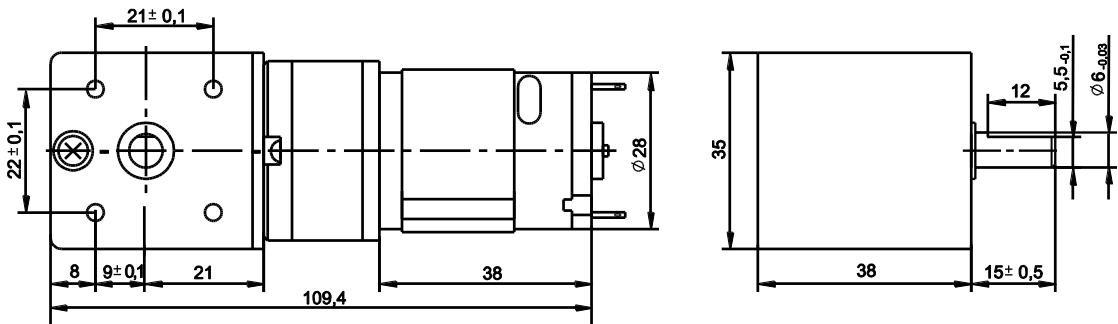
Dimensions of DC geared motor SM22P



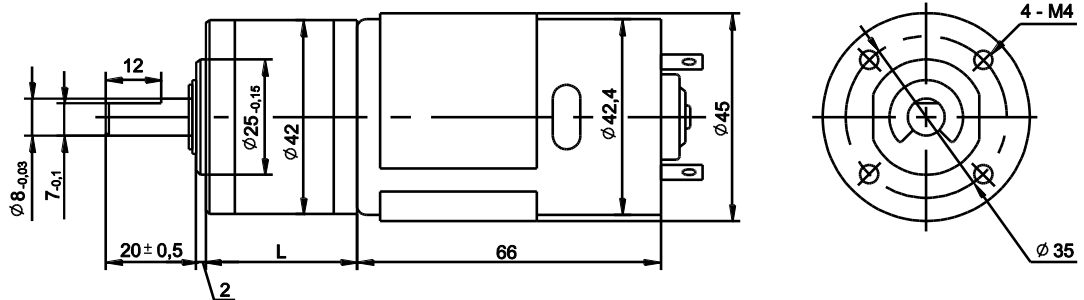
Dimensions of DC geared motor SM32P



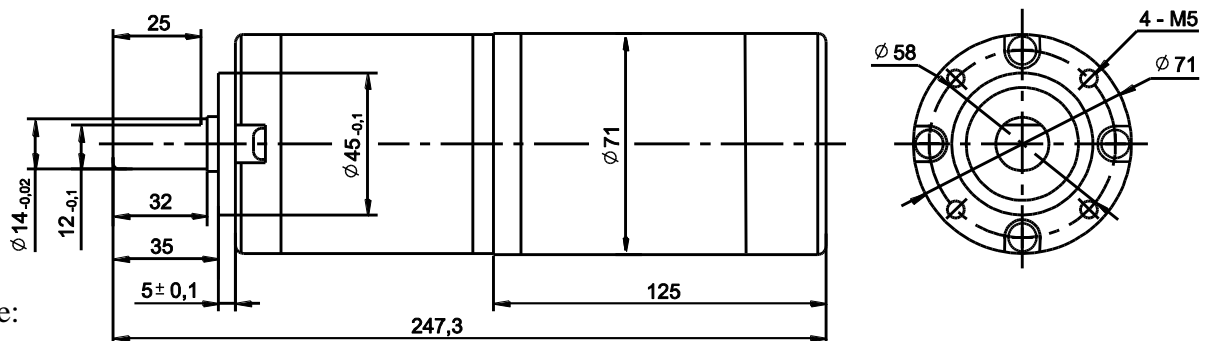
Dimensions of DC geared motor SM32RP



Dimensions of DC geared motor SM42P

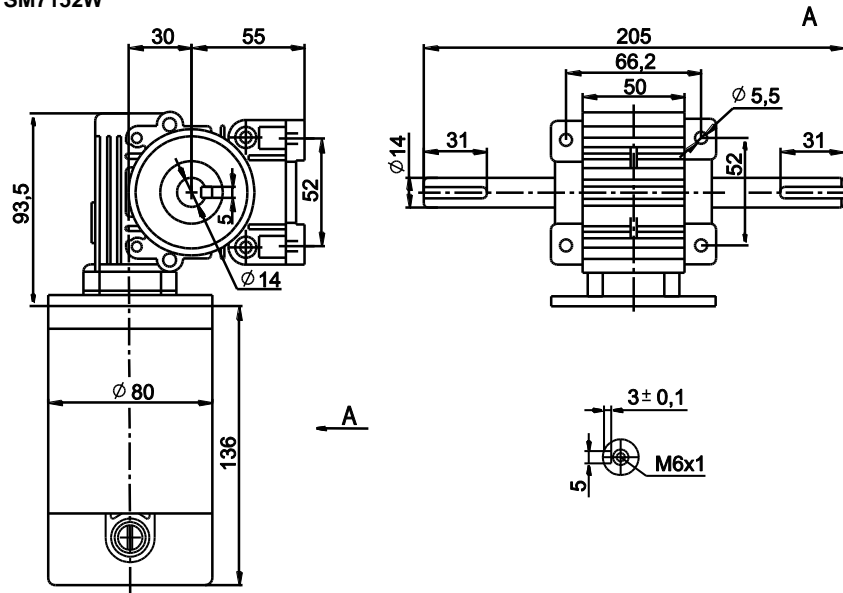


Dimensions of DC geared motor SM71P

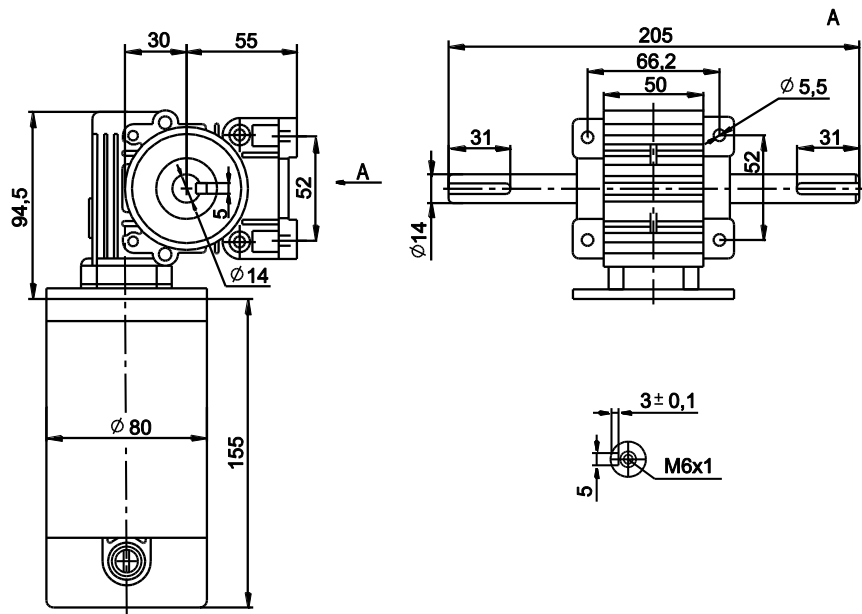


Date of sale:

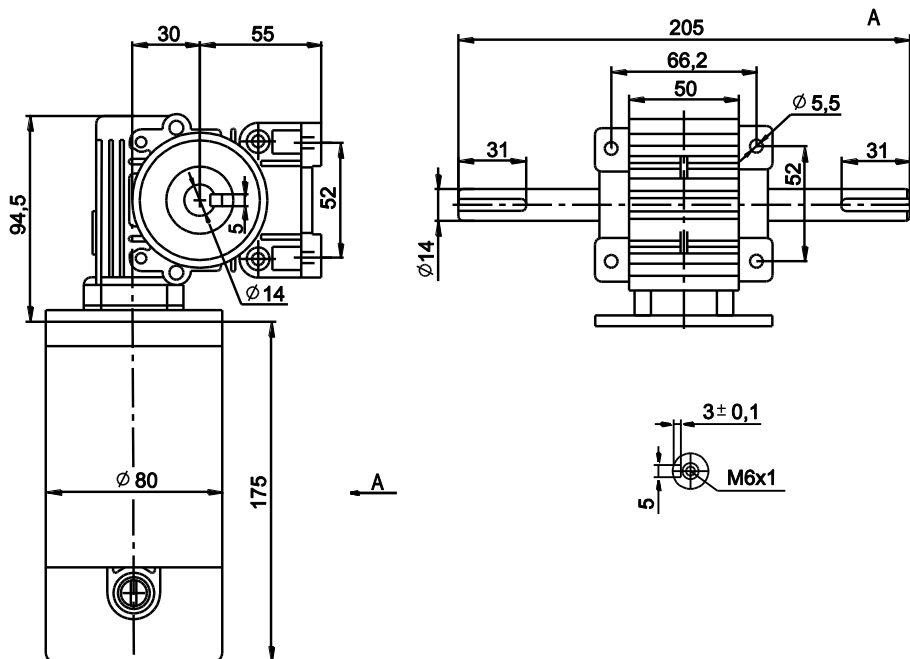
Dimensions of DC geared motor SM7152W



Dimensions of DC geared motor SM7165W



Dimensions of DC geared motor SM7185W



Date of sale: